

CDI TORQUE PRODUCTS

A Division of Snap-on Logistics Company



**ELECTRONIC
AND
MECHANICAL
TORQUE TOOLS**

AMERICA'S LARGEST MANUFACTURER OF ELECTRONIC AND MECHANICAL TORQUE TOOLS.

CDI was founded in 1968 and over the years has developed into a world class torque products manufacturing company. The company earned its ISO 9001 International Quality System Certification in 1998, demonstrating a commitment to provide our customers with the highest quality torque measurement and torque limiting devices in the world. CDI joined the Snap-on® family of companies in 1995.

CDI is the primary supplier of torque wrenches and torque screwdrivers to the GSA (General Service Administration of the U.S. Government) since 1968. All CDI products are individually serialized and meet or exceed appropriate ASME and ISO standards.

CDI's mechanical torque product lines include click type torque wrenches, dial indicating torque wrenches, torque limiting screwdrivers and a number of special application torque products. CDI has long been a major innovator and leader in electronic torque measurement and torque calibration equipment. We manufacture more electronic torque wrenches than any other company and are a recognized leader in electronic torque testing and calibration equipment.

We work with our customers to develop the tools they need to solve torque-related problems. CDI's mission is to remain the world's largest developer and supplier of quality torque tools, torque testing equipment and calibration services.

All CDI employees recognize the importance of our customers' satisfaction with our products and services. We have a full time Product Development Team dedicated to develop and deliver innovative new torque products.

Thank you for providing us the opportunity to serve you.



TABLE OF CONTENTS

TORQUE AND ANGLE Electronic Torque Wrench	1
COMPUTORQ II Electronic Torque Wrench	2
COMPUTORQ 3 Electronic Torque Wrench	3
ELECTRONIC DIAL (ED) Torque Wrench	4
TORQUE WRENCHES Dial Indicating Type	5
TORQUE WRENCHES Micro-Adjustable & Pre-Set	8
TORQUE SCREWDRIVERS Micro-Adjustable & Pre-Set	12
TORKY Pre-Set Wrench	13
TORQUE FACTS	14
REPAIR & SERVICE CENTER	17
INDEX	18
WARRANTY STATIONS	20

CDI Torque Products, A Division of Snap-on Logistics Company, reserves the right to change model, styles and colors of all products and accessories without notice. CDI Torque Products, A Division of Snap-on Logistics Company, is not responsible for any typographical errors.

The following products are trademarks of CDI Torque Products, A Division of Snap-on Logistics Company: COMPUTORQ II™, COMPUTORQ 3™ and TORKY™.

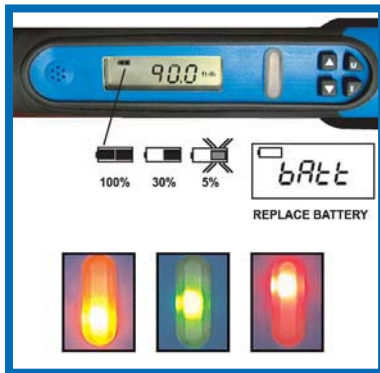
TORQUE AND ANGLE ELECTRONIC TORQUE WRENCH

The CDI **Torque and Angle Electronic Wrench** incorporates 21st Century Technology in a simple to use digital wrench. Specifically designed to meet the needs of the torque professional where torque plus angle is required. It features three units of torque, ft.lbs. In.lbs. and Nm as well as the angle mode.

The Torque and Angle wrench allows the technician to apply a specific torque load, followed by the angle specification, all in one convenient wrench. It features a three LED light bar, audible buzzer and tactile feel vibrating handle. As the angle mode is a separate function, the wrench can also be used as a stand alone digital torque wrench.

FEATURES

- Very accurate, $\pm 2\%$, CW of indicated value
- Gyro chip senses 360° of movement, and is accurate to within $\pm 1^\circ$
- No maintenance, just change batteries at 80 hours
- VERY easy to set up and use quickly
- Almost impossible to over torque
- Digital torque measurement and digital angle measurement in one convenient package
- Fast and easy set-up
- Handle vibrates when target torque is reached
- Ergonomic non-slip cushion grip
- 15% Flex Ratchet head
- Long battery life, uses two CR123 lithium batteries
- Convenient, push button socket release ratchet head
- 3 step LED visual signal system:
YELLOW LIGHT = approaching target torque
GREEN LIGHT = target torque reached
RED LIGHT = over torque indicator
- N.I.S.T. traceable certificate of calibration included
- Meets or exceeds ASME B107.28 - 2005



The yellow LED illuminates within 10% of target torque.

The green LED illuminates within 4% of target torque. Continuous buzzer sounds when target is reached.

The red LED illuminates 4% beyond target torque, indicating fastener was overtorqued. Rapid "alarm" buzzer sounds.

TORQUE AND ANGLE ELECTRONIC TORQUE WRENCH

Product Code	Drive	Ft. Lb.	In. Lb.	Nm	Angle	Length	Wt.
						In. (mm)	Lbs. (kgs)
1002TAA	3/8"	10 - 100	120 - 1200	12.6 - 135.6	0-360°	17 (432)	2.2 (1.0)
2503TAA	1/2"	25 - 250	300 - 3000	33.8 - 338	0-360°	27 (686)	3.5 (1.59)

TORQUE TOOLS

TORQUE WRENCHES



WARNING

- Do not exceed rated torque.
- Periodic recalibration is necessary to maintain accuracy.
- Do not use a torque wrench to break fasteners loose.
- Frequently inspect, clean and lubricate ratchet mechanism with light oil.

COMPUTORQ II ELECTRONIC TORQUE WRENCHES

The **COMPUTORQ II** is our state-of-the-art Digital Programmable Torque Wrench. It has many applications, including precision torquing of critical fasteners, tracking applied torque for quality control testing, as well as destructive component testing. The Computorq II is easy to program using the soft touch keypad. Simply program a "target" torque including upper and lower limits, and the wrench will signal with a beep when that torque setting is reached. If the user exceeds the target torque, an alarm tone sounds and the red light flashes. Computorq II is available in six models with ranges from 5 in. lbs. up to 1000 ft. lbs.



FEATURES

- Up to 4000 torque values can be stored in memory
- Downloading capability to a printer/computer datalogger via RS232
- Selectable modes of operation are "peak hold" and "track"
- Target torque values are easily programmed and viewed through the keypad
- Available torque ranges from 5 in. lb. to 1000 ft. lb.
- A 9v alkaline battery is standard for 60 hours of operation
- Accuracy: $\pm 1\%$ of indicated value, CW & CCW, from 20% to 100% of full scale; $\pm 1\%$, plus 5 increments from 10% to 20% of full scale
- All calibration data is stored in the microprocessor
- Selectable baud rate for downloading to a printer/computer/datalogger. Options are 300, 600, 1200, 2400, 4800, 9600, or 19200
- Meets or exceeds ASME B107.28 - 2005

COMPUTORQ II ELECTRONIC TORQUE WRENCHES

Product Code	Drive	Torque Range	Incr.	Length In.	Wt. Lbs.
501CI-II	1/4"	5 - 50 in. lb.	.01 in. lb.	13.5	1.5
		.4 - 4.2 ft. lb.	.001 ft. lb.		
		5.6 - 56 dNm	.01 dNm		
		.56 - 5.6 Nm	.01 Nm		
		5.7 - 57 cmkg	.01 cmkg		
2502CI-II	3/8"	25 - 250 in. lb.	.1 in. lb.	14.9	2.0
		2 - 20 ft. lb.	.01 ft. lb.		
		28 - 282 dNm	.1 dNm		
		2.8 - 28 Nm	.01 Nm		
		29 - 288 cmkg	.1 cmkg		
502CF-II	3/8"	.29 - 2.88 mkg	.001 mkg	14.9	2.0
		60 - 600 in. lb.	.1 in. lb.		
		5 - 50 ft. lb.	.01 ft. lb.		
		68 - 677 dNm	.1 dNm		
		6.8 - 67.7 Nm	.01 Nm		
2503CF-II	1/2"	69.1 - 691 cmkg	.1 cmkg	21.5	3.2
		.7 - 6.9 mkg	.001 mkg		
		300 - 3000 in. lb.	1 in. lb.		
		25 - 250 ft. lb.	.1 ft. lb.		
		340 - 3380 dNm	2 dNm		
6004CF-II	3/4"	34 - 338 Nm	.1 Nm	46.5	9.5
		340 - 3400 cmkg	2 cmkg		
		3.4 - 34 mkg	.01 mkg		
		720 - 7200 in. lb.	3 in. lb.		
		60 - 600 ft. lb.	.2 ft. lb.		
10005CF-II	1"	810 - 8130 dNm	.1 ft. lb.	74.0	19.0
		81 - 813 Nm	.1 Nm		
		830 - 8300 cmkg	4 cmkg		
		8.3 - 83 mkg	.01 mkg		
		100 - 1000 ft. lb.	.1 ft. lb.		
		135 - 1355 Nm	.1 Nm		
		14 - 138 mkg	1 mkg		

Optional Cables: Product Code P113-50 Computorq to 9 Pin P.C.
 Optional Cables: Product Code P113-60 Computorq to 25 Pin Printer
N.I.S.T. traceable calibration certificate included.



COMPUTORQ 3 ELECTRONIC TORQUE WRENCHES

The **COMPUTORQ 3 Electronic Torque Wrench** is a simple to use digital readout wrench that displays real time torque values in any of four torque units, ft.lbs., in.lbs., Nm, kg.cm. Simply set the desired torque value and apply force until the green LED illuminates. Great for light industrial, automotive, motorcycle, watercraft and aircraft applications.

FEATURES

- Sleek new design
- 15-degree flex ratcheting head
- Push button socket release head
- Large, easy to read digital display
- Long battery life, uses 2 each CR123 lithium batteries
- Ergonomically designed molded non-slip rubber grip
- Torques in both clockwise and counterclockwise directions
- Battery saving auto-shutoff after two minutes
- COMPUTORQ 3 remembers last unit and torque setting selected
- Audible tone sounds when set torque value is reached, if the set torque value is exceeded, an alarm tone will sound.
- 3 color LED light bar
 YELLOW LED indicates approaching desired torque setting
 GREEN LED indicates desired torque value is reached
 RED LED indicates fastener was overtorqued, loosen and retighten.
- When desired torque value is reached, display will hold value and flash for ten seconds.
- COMPUTORQ 3 will operate in any of four torque units, foot pounds (ft. lbs.), inch pounds (in. lbs.), newton meter (Nm) or kilogram centimeter (kg. cm.).
- **ACCURACY:**
 ± 2% CW of readings from 20% to 100% of full scale
 ± 3% CCW of readings from 20% to 100% of full scale
- N.I.S.T. traceable certificate of calibration included
- Meets or exceeds ASME B107.28 - 2005

TORQUE TOOLS

DIGITAL WRENCHES



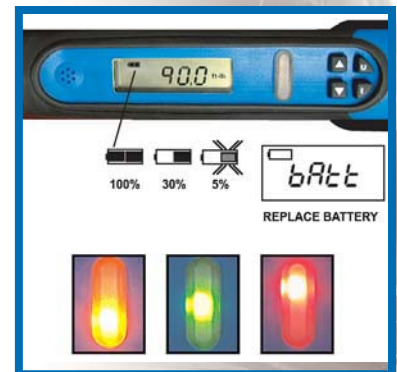
COMPUTORQ 3 ELECTRONIC TORQUE WRENCHES

Product Code	Drive	Ft. Lb.	In. Lb.	Nm	Kg. Cm.	Length	Wt.
						In. (mm)	Lbs. (kgs)
2401CI3	¼"	2.0 - 20.0	24 - 240	2.71 - 27.10	27.6 - 276	15 (381)	2.0 (.91)
1002CF3	⅜"	10.0 - 100.0	120 - 1200	13.6 - 135.6	138 - 1382	17 (432)	2.2 (1.0)
2503CF3	½"	25 - 250	300 - 3000	33.8 - 338	345 - 3456	27 (686)	3.5 (1.59)

COMPUTORQ 3 ELECTRONIC TORQUE WRENCHES FOR HIGH ACCURACY

Product Code	Drive	Ft. Lb.	In. Lb.	Nm	Kg. Cm.	Length	Wt.
						In. (mm)	Lbs. (kgs)
2401CI3HA*	¼"	2.0 - 20.0	24 - 240	2.71 - 27.10	27.6 - 276	15 (381)	2.0 (.91)
1002CF3HA*	⅜"	10.0 - 100.0	120 - 1200	13.6 - 135.6	138 - 1382	17 (432)	2.2 (1.0)
2503CF3HA*	½"	25 - 250	300 - 3000	33.8 - 338	345 - 3456	27 (686)	3.5 (1.59)

***HIGH ACCURACY 1% Clockwise direction only.**  **It couldn't be easier to use!**



COMPUTORQ 3 Display and 3 Color LED Light Bar



WARNING

- Do not exceed rated torque.
- Periodic recalibration is necessary to maintain accuracy.
- Do not use a torque wrench to break fasteners loose.
- Frequently inspect, clean and lubricate ratchet mechanism with light oil.

ELECTRONIC DIAL TORQUE WRENCH (ED)

The new **Electronic Dial (ED)** torque wrench features solid state electronics for accurate torque application and measurement. ED's design provides easy set-up and usage. There is no need to look directly at the digital readout as the wrench features 3 indicating lights and an audible buzzer.

The ED wrench: unsurpassed reliability and durability -- 21st century technology in a simple, easy to read digital torque wrench.

FEATURES

- 4 units of measure...ft lb, in lb, Nm, kg.cm.
- Accuracy: $\pm 1\%$ of indicated value CW & CCW, from 20% to 100% of full scale
- 3 step LED visual signal system
YELLOW LIGHT = approaching target torque
GREEN LIGHT = target torque reached
RED LIGHT = over torque indicator
- Audible tone when desired torque is reached
- Alarm tone sounds if wrench is overtorqued
- Ergonomically designed wrench body
- Display can be turned 180 degrees to allow left hand usage
- Battery cover designed to be aviation FOD proof
- Holds "peak" torque reading for 10 seconds
- Constructed of special Capron® material for long life and durability
- Resistant to the majority of chemicals used in industrial environments.
- Wrench can be hung on tool board
- Bar graph displays orientation of torque application (left or right hand)
- Uses standard 9 volt alkaline battery
- N.I.S.T. traceable certificate of calibration included
- Meets or exceeds ASME B107.28 - 2005



CDI "ED": Easy to change dial orientation.



The yellow LED illuminates within 10% of target torque.



The green LED illuminates within 4% of target torque. Continuous buzzer sounds when target is reached.



The red LED illuminates 4% beyond target torque, indicating fastener was overtorqued. Rapid "alarm" buzzer sounds.

ELECTRONIC DIAL WRENCH (ED)

Product Code	Drive	Torque			Kg. Cm.	Length In. (mm)	Wt. Lbs. (kgs)
		In. Lb.	Ft. Lb.	Nm			
501ED	1/4"	5 - 50	.42 - 4.17	.56 - 5.65	57 - 57.61	11.5 (292)	1.25 (.57)
2502ED	3/8"	25 - 250	2.08 - 20.83	2.82 - 28.25	28 - 280.03	14.5 (368)	1.51 (.68)
6002ED	3/8"	60 - 600	5 - 50	6.79 - 67.79	69 - 691.27	14.5 (368)	1.51 (.68)



DIAL TORQUE WRENCHES - DUAL SCALE

Dial Torque Wrenches are designed for the automotive, nuclear and industrial markets in addition to military installations throughout the world. This series features sturdy torsion beam design for dependable long life and accuracy. The small frame model offers working ranges from 3 in. lbs. to 50 ft. lbs. in 1/4" and 3/8" drives. The large frame model continues from 100 ft. lbs. through 2,000 ft. lbs. with 1/2", 3/4" and 1" drives. Accuracy of both series of $\pm 3\%$ meets or exceeds B107.14 - 2004, ISO 6789 bi-directionally from 20% to 100% of scale. All wrenches supplied with a N.I.S.T. traceable certificate of calibration.

FEATURES

- Sturdy body construction insures durability
- Easy to read laser marked dual scale
- Large easy to read dial is shock resistant and protected by a tough metal guard
- Memory needle retains highest torque reading applied
- Calibrated in both CW and CCW direction
- Accuracy: $\pm 3\%$ of indicated value, CW & CCW, from 20% to 100% of full scale
- Individually serialized with matching certificate of calibration traceable to N.I.S.T.



TORQUE TOOLS

TORQUE WRENCHES

DIAL TORQUE WRENCHES - DUAL SCALE

Product Code	Drive Size	English Range	Incr.	Nm Range	Incr.	A In.	B In.	C In.	D In.	Wt. Lbs.
Memory Needle Models										
151LDIN	1/4"	0-15 in. lb.	.25 in. lb.	0-1.8 Nm	.05 Nm	11.5	1.1	1.2	2.75	1.1
301LDIN	1/4"	0-30 in. lb.	.5 in. lb.	0-3.5 Nm	.1 Nm	11.5	1.1	1.2	2.75	1.1
751LDIN	1/4"	0-75 in. lb.	1 in. lb.	0-9 Nm	.2 Nm	11.5	1.1	1.2	2.75	1.1
752LDIN	3/8"	0-75 in. lb.	1 in. lb.	0-9 Nm	.2 Nm	11.5	1.1	1.2	2.75	1.1
1502LDIN	3/8"	0-150 in. lb.	2 in. lb.	0-18 Nm	.5 Nm	11.5	1.1	1.2	2.75	1.1
2502LDIN	3/8"	0-250 in. lb.	5 in. lb.	0-30 Nm	.5 Nm	11.5	1.1	1.2	2.75	1.1
3002LDIN	3/8"	0-300 in. lb.	5 in. lb.	0-35 Nm	1 Nm	11.5	1.1	1.2	2.75	1.1
6002LDIN	3/8"	0-600 in. lb.	10 in. lb.	0-70 Nm	2 Nm	15	1.5	1.2	2.75	1.6
502LDFN	3/8"	0-50 ft. lb.	1 ft. lb.	0-70 Nm	2 Nm	15	1.5	1.2	2.75	1.6
1003LDFN	1/2"	0-100 ft. lb.	2 ft. lb.	0-140 Nm	2.5 Nm	21.75	2.25	1.50	2.75	3.70
1753LDFN	1/2"	0-175 ft. lb.	5 ft. lb.	0-240 Nm	5 Nm	21.75	2.25	1.50	2.75	3.70
2503LDFN	1/2"	0-250 ft. lb.	5 ft. lb.	0-350 Nm	10 Nm	21.75	2.25	1.50	2.75	3.70
3504LDFN	3/4"	0-350 ft. lb.	10 ft. lb.	0-480 Nm	10 Nm	28.00	2.25	1.50	2.75	5.75
6004LDFN*	3/4"	0-600 ft. lb.	10 ft. lb.	0-800 Nm	20 Nm	47.00	2.50	1.50	2.75	10.10
10005LDFN*	1"	0-1000 ft. lb.	20 ft. lb.	0-1400 Nm	25 Nm	74.00	2.50	3.50	3.00	30.00
Electric Signaling Models										
6004LDFE**	3/4"	0-600 ft. lb.	10 ft. lb.	0-800 Nm	20 Nm	47.00	2.50	1.50	2.75	10.10
10005LDFE**	1"	0-1000 ft. lb.	20 ft. lb.	0-1400 Nm	25 Nm	74.00	2.50	3.50	3.00	30.00
20005LDFE***	1"	0-2000 ft. lb.	40 ft. lb.	0-2800 Nm	50 Nm	122.00	3.50	6.50	3.50	47.00

*NOTE: 6004LDFN and 10005LDFN include 1 Extension handle.
 **NOTE: 6004LDFE and 10005LDFE include 1 Extension handle, indicating light and buzzer.
 ***NOTE: 20005LDFE is a "T" style wrench with 1" drive female head that can be use with a torque multiplier. Includes 5 piece handle assembly, indicating light and buzzer.



20005LDFE "T" type Dial Wrench must be operated by two persons or a torque multiplier. The handle is over 10 ft. long.



WARNING

- Do not exceed rated torque.
- Periodic recalibration is necessary to maintain accuracy.
- Do not use a torque wrench to break fasteners loose.
- Frequently inspect, clean and lubricate ratchet mechanism with light oil.

DIAL TORQUE WRENCHES - SINGLE SCALE

Dial Torque Wrenches are designed for the automotive, nuclear and industrial markets in addition to military installations throughout the world. This series features sturdy torsion beam design for dependable long life and accuracy. The small frame model offers working ranges from 3 in. lbs. to 50 ft. lbs. in 1/4" and 3/8" drives. The large frame model continues from 100 ft. lbs. through 2,000 ft. lbs. with 1/2", 3/4" and 1" drives. Accuracy of both series of $\pm 3\%$ meets or exceeds B107.14 - 2004, ISO 6789 bi-directionally from 20% to 100% of scale. All wrenches supplied with a N.I.S.T. traceable certificate of calibration.

FEATURES

- Sturdy body construction insures maximum durability
- Easy to read laser marked single scale
- Large easy to read dial is shock resistant and protected by a tough metal guard
- Memory needle retains highest torque reading applied
- Calibrated in both CW and CCW direction
- Accuracy: $\pm 3\%$ of indicated value, CW & CCW, from 20% to 100% of full scale
- Individually serialized with matching certificate of calibration traceable to N.I.S.T.



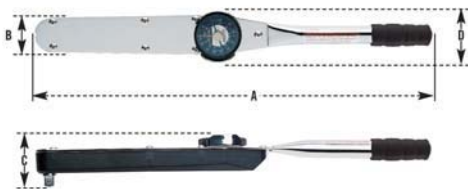
DIAL TORQUE WRENCHES ENGLISH - SINGLE SCALE

Product Code	Drive Size (In.)	English Range	Incr.	A In.	B In.	C In.	D In.	WT. Lbs.
Memory Needle Models								
151LDINSS	1/4"	0-15 in.lb.	.25 in.lb.	11.5	1.1	1.2	2.75	1.1
301LDINSS	1/4"	0-30 in.lb.	.5 in.lb.	11.5	1.1	1.2	2.75	1.1
751LDINSS	1/4"	0-75 in.lb.	1 in.lb.	11.5	1.1	1.2	2.75	1.1
752LDINSS	3/8"	0-75 in.lb.	1 in.lb.	11.5	1.1	1.2	2.75	1.1
2502LDINSS	3/8"	0-250 in.lb.	5 in.lb.	11.5	1.1	1.2	2.75	1.1
3002LDINSS	3/8"	0-300 in.lb.	5 in.lb.	11.5	1.1	1.2	2.75	1.1
6002LDINSS	3/8"	0-600 in.lb.	10 in.lb.	15	1.5	1.2	2.75	1.6
502LDFNSS	3/8"	0-50 ft.lbs.	1 ft.lb.	15	1.5	1.2	2.75	1.6
1003LDFNSS	1/2"	0-100 ft. lb.	2 ft. lb.	21.75	2.25	1.50	2.75	3.70
1753LDFNSS	1/2"	0-175 ft. lb.	5 ft. lb.	21.75	2.25	1.50	2.75	3.70
2503LDFNSS	1/2"	0-250 ft. lb.	5 ft. lb.	21.75	2.25	1.50	2.75	3.70
3504LDFNSS	3/4"	0-350 ft. lb.	10 ft. lb.	28.00	2.25	1.50	2.75	5.75
6004LDFNSS*	3/4"	0-600 ft. lb.	10 ft. lb.	47.00	2.50	1.50	2.75	10.10
10005LDFNSS*	1"	0-1000 ft. lb.	20 ft. lb.	74.00	2.50	3.50	3.00	30.00
Electric Signaling Models								
6004LDFESS**	3/4"	0-600 ft. lb.	10 ft. lb.	47.00	2.50	1.50	2.75	10.10
10005LDFESS**	1"	0-1000 ft. lb.	20 ft. lb.	74.00	2.50	3.50	3.00	30.00
20005LDFESS***	1"	0-2000 ft. lb.	40 ft. lb.	122.00	3.50	6.50	3.50	47.00

*NOTE: 6004LDFNSS and 10005LDFNSS include 1 extension handle.

**NOTE: 6004LDFESS and 10005LDFESS include 1 extension handle, indicating light and buzzer.

***NOTE: 20005LDFESS is a "T" style wrench with 1" drive female head that can be used with a torque multiplier. Includes 5 piece handle assembly, indicating light and buzzer.



TORQUE TOOLS

TORQUE WRENCHES



DIAL TORQUE WRENCHES NEWTON METER - SINGLE SCALE

Product Code	Drive Size (In.)	Nm Range	Incr.	A In.	B In.	C In.	D In.	Wt. Lbs.
Memory Needle Models								
1.81NLDNSS	¼"	0-1.8 Nm	.05 Nm	11.5	1.1	1.2	2.75	1.1
3.51NLDNSS	¼"	0-3.5 Nm	.1 Nm	11.5	1.1	1.2	2.75	1.1
91NLDNSS	¼"	0-9 Nm	.2 Nm	11.5	1.1	1.2	2.75	1.1
92NLDNSS	¾"	0-9 Nm	.2 Nm	11.5	1.1	1.2	2.75	1.1
182NLDNSS	¾"	0-18 Nm	.5 Nm	11.5	1.1	1.2	2.75	1.1
302NLDNSS	¾"	0-30 Nm	.5 Nm	11.5	1.1	1.2	2.75	1.1
352NLDNSS	¾"	0-35 Nm	1 Nm	11.5	1.1	1.2	2.75	1.1
702NLDNSS	¾"	0-70 Nm	2 Nm	15	1.5	1.2	2.75	1.6
1403NLDNSS	½"	0-140 Nm	2.5 Nm	21.75	2.25	1.50	2.75	3.70
2403NLDNSS	½"	0-240 Nm	5 Nm	21.75	2.25	1.50	2.75	3.70
3503NLDNSS	½"	0-350 Nm	10 Nm	21.75	2.25	1.50	2.75	3.70
4804NLDNSS	¾"	0-480 Nm	10 Nm	28.00	2.25	1.50	2.75	5.75
8004NLDNSS*	¾"	0-800 Nm	20 Nm	47.00	2.50	1.50	2.75	10.10
14005NLDNSS*	1"	0-1400 Nm	25 Nm	74.00	2.50	3.50	3.00	30.00
Electric Signaling Models								
8004NLDESS**	¾"	0-800 Nm	20 Nm	47.00	2.50	1.50	2.75	10.10
14005NLDESS**	1"	0-1400 Nm	25 Nm	74.00	2.50	3.50	3.00	30.00
25005NLDESS***	1"	0-2500 Nm	50 Nm	122.00	3.50	6.50	3.50	47.00

*NOTE: 8004NLDNSS and 14005NLDNSS include 1 Extension handle.

**NOTE: 8004NLDESS and 14005NLDESS include 1 Extension handle, indicating light and buzzer.

***NOTE: 25005NLDESS is a "T" style wrench with 1" drive female head that can be used with a torque multiplier. Includes 5 piece handle assembly, indicating light and buzzer.



T-TYPE DIAL WRENCHES must be operated by two persons or a torque multiplier. The handle is over 10 ft. long.



WARNING

- Do not exceed rated torque.
- Periodic recalibration is necessary to maintain accuracy.
- Do not use a torque wrench to break fasteners loose.
- Frequently inspect, clean and lubricate ratchet mechanism with light oil.

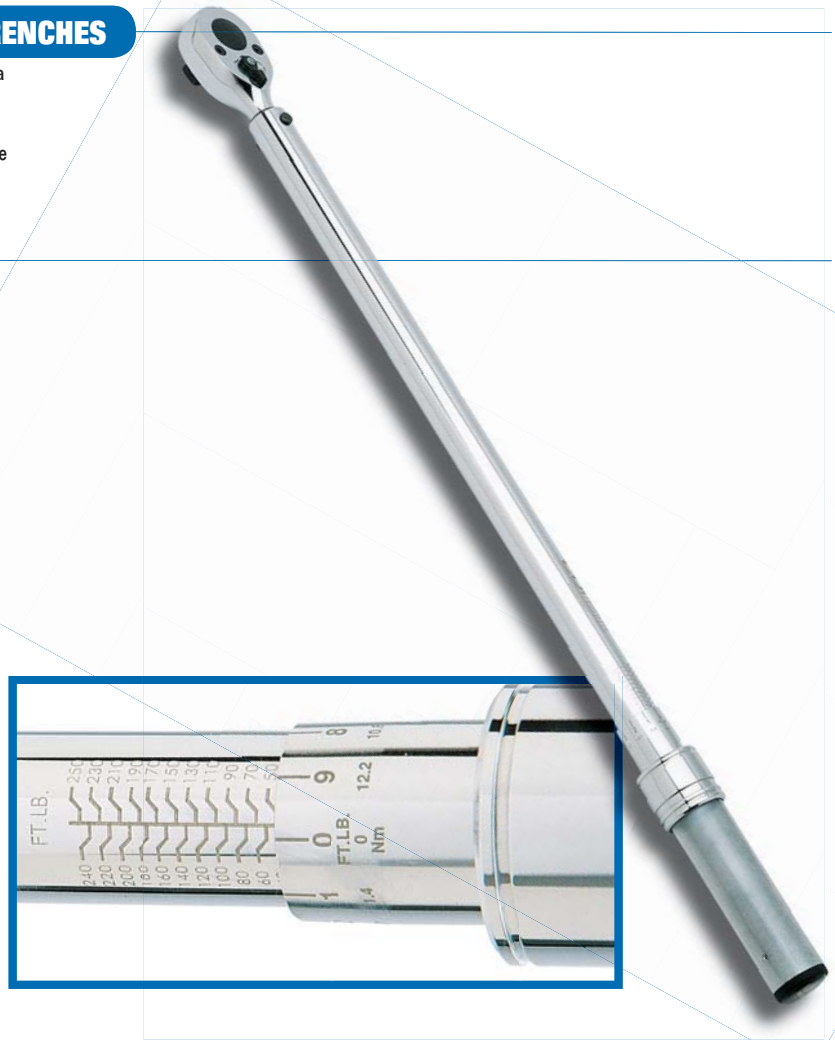
CDI TORQUE PRODUCTS

MICROMETER ADJUSTABLE TORQUE WRENCHES

Metal Handle Dual Scale. The metal handle series offers the user a rugged, industrial strength torque wrench able to withstand the rigors of professional use. Handles are lightly knurled for a tough, non-slip grip. There are 21 models of metal handle micrometer adjustable torque wrenches available.

FEATURES

- Dual scale, calibrated dual direction
- Positive lock with spring loaded pull down lock ring
- Fast, accurate and easy to set
- Easy-to-read laser marked scales
- Most feature quick release buttons which provide good socket retention as well as easy socket removal
- Accuracy: $\pm 3\%$ CW $\pm 4\%$ CCW of indicated value, CW, from 20% to 100% of full scale
- Meets or exceeds ASME B107.14-2004, ISO 6789 standards
- Individually serialized with matching certificate of calibration traceable to N.I.S.T.



MICROMETER ADJUSTABLE TORQUE WRENCHES - DUAL SCALE

Product Code	Drive Size	English Range	Incr.	Nm Range	Incr.	A In.	B In.	C In.	D In.	Wt. Lbs.
501MRMH	1/4"	10-50 in. lb.	1	1.4 - 5.4 Nm	.06	10.15	1.06	0.93	1.06	0.85
1502MRMH	3/8"	20-150 in. lb.	1	2.8 - 15.3 Nm	.12	10.15	1.06	0.93	1.06	0.90
2002MRMH	3/8"	30-200 in. lb.	1	4.0 - 22.0 Nm	.12	10.15	1.06	0.93	1.06	0.85
2502MRMH	3/8"	30-250 in. lb.	1	4.0 - 27.7 Nm	.12	11.25	1.06	0.93	1.06	0.95
7502MRMH	3/8"	100-750 in. lb.	5	14.1 - 81.9 Nm	.6	16.00	1.43	1.20	1.40	2.50
10002MRMH	3/8"	150-1000 in. lb.	5	19.8 - 110.2 Nm	.6	16.00	1.43	1.20	1.40	2.50
25003MRMH	1/2"	300-2500 in. lb.	10	39.6 - 276.9 Nm	1.2	18.00	1.70	1.40	1.40	3.20
752MFRMH	3/8"	5-75 ft. lb.	0.5	10.2 - 98.3 Nm	.7	16.00	1.43	1.20	1.40	2.50
1002MFRMH	3/8"	10-100 ft. lb.	0.5	16.9 - 132.2 Nm	.7	16.00	1.43	1.20	1.40	2.55
1503MFRMH	1/2"	20-150 ft. lb.	1	34 - 197 Nm	1.4	19.00	1.70	1.40	1.40	3.15
2503MFRMH	1/2"	30-250 ft. lb.	1	47 - 332 Nm	1.4	24.40	1.70	1.40	1.40	3.15
4004MFRMH	3/4"	80-400 ft. lb.	5	85 - 491 Nm	3.4	34.25	2.50	2.10	1.40	10.30
6004MFRMH	3/4"	100-600 ft. lb.	5	169 - 779 Nm	6.8	42.00	2.50	2.00	1.15	11.85
10005MFRMH*	1"	200-1000 ft. lb.	5	305 - 1322 Nm	6.8	70.00	3.00	3.00	1.50	25.10
20005MFMHSS**	1"	300-2000 ft. lb.	10			108.50	3.15	4.25	1.65	48.75

*NOTE: 10005MFRMH supplied with one extension handle and is packed in a metal box.

**NOTE: 20005MFMHSS (English scale only) supplied with two extension handles, fixed/non-ratcheting head and is packed in a sturdy cardboard box.

TORQUE TOOLS



**TORQUE
TOOLS**

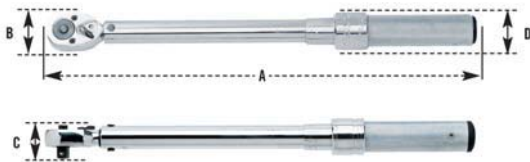
**TORQUE
WRENCHES**



MICROMETER ADJUSTABLE NEWTON METER TORQUE WRENCHES - SINGLE SCALE

Product Code	Nm Range	Sq. Drive	Incr.	A In.	B In.	C In.	D In.	Wt. Lbs.
602NMRMHSS	10-60 Nm	3/8"	0.5	16.00	1.43	1.20	1.40	2.50
1002NMRMHSS	20-100 Nm	3/8"	0.5	16.00	1.43	1.20	1.40	2.50
2003NMRMHSS	40-200 Nm	1/2"	2	19.00	1.70	1.40	1.40	3.25
3403NMRMHSS	60-340 Nm	1/2"	2	24.40	1.70	1.40	1.40	3.40
8004NMRMHSS	150-800 Nm	3/4"	5	42.00	2.50	2.10	1.40	11.85
15005NMRMHSS*	300-1500 Nm	1"	10	70.00	3.00	3.00	1.50	25.10

*NOTE: 15005NMRMHSS supplied with one extension handle and is packed in a metal box.
NOTE: All single scale Newton Meter only.



WARNING

- Do not exceed rated torque.
- Periodic recalibration is necessary to maintain accuracy.
- Do not use a torque wrench to break fasteners loose.
- Frequently inspect, clean and lubricate ratchet mechanism with light oil.

COMFORT GRIP MICROMETER ADJUSTABLE TORQUE WRENCHES

Comfort-Grip Handle Dual Scale

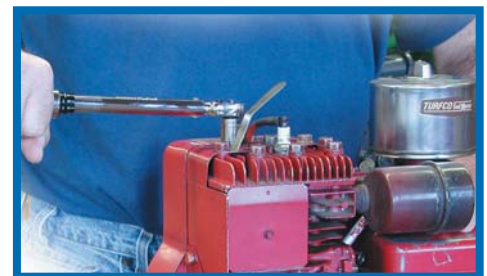
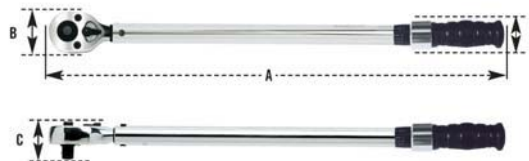
FEATURES

- Dual scale, calibrated dual direction
- Positive lock with spring loaded pull down lock ring
- Fast, accurate and easy to set
- Easy-to-read laser marked scale
- Most feature quick release buttons which provide good socket retention as well as easy socket removal
- Ergonomic comfort-grip
- Accuracy: $\pm 3\%$ CW $\pm 4\%$ CCW of indicated value, CW, from 20% to 100% of full scale
- Meets or exceeds ASME B107.14-2004, ISO 6789 standards
- Individually serialized with matching certificate of calibration traceable to N.I.S.T.



COMFORT GRIP MICROMETER ADJUSTABLE TORQUE WRENCHES

Product Code	Drive Size	English Range	Incr.	Nm Range	Incr.	A In.	B In.	C In.	D In.
1501MRPH	1/4"	20-150 in. lb.	1	2.8 - 15.3 Nm	.12	10.00	1.06	.93	1.06
2502MRPH	3/8"	30-250 in. lb.	1	4.0 - 27.7 Nm	.12	11.25	1.06	1.06	1.06
10002MRPH	3/8"	150-1000 in. lb.	5	19.8 - 110.2 Nm	.6	16.00	1.43	1.20	1.40
1002MFRPH	3/8"	10-100 ft. lb.	1	16.9 - 132.2 Nm	.7	16.00	1.43	1.20	1.40
1503MFRPH	1/2"	20-150 ft. lb.	1	34 - 197 Nm	1.4	19.00	1.70	1.40	1.40
2503MFRPH	1/2"	30-250 ft. lb.	1	47 - 332 Nm	1.4	24.40	1.70	1.40	1.40
6004MFRPH	3/4"	100-600 ft. lb.	5	169 - 779 Nm	6.8	42.00	2.50	2.10	1.40



PRE-SET TORQUE WRENCHES

Pre-Set torque wrenches are designed for use on production lines and other applications where a specific torque is required for repetitive operations. The design, fabrication and materials used have been developed in coordination with major manufacturers in actual production use.

FEATURES

- Six models available with torque ranges from 10 in. lbs. to 600 ft. lbs.
- Featuring a durable, non-slip cushion grip
- Uses universal round shank heads
- Audible click and feel impulse torque control mechanism
- Tamper proof torque setting for production line use
- Torque values can be calibrated in english or metric setting
- Accuracy: $\pm 4\%$ of indicated value, from 20% to 100% of full scale
- Meets or exceeds ASME B107.14-2004, ISO 6789
- Calibration certificate available at additional cost

PRE-SET TORQUE WRENCHES

Product Code	English Range	Nm Range	Shank Size	A In.	B In.	C In.	D In.	Wt. Lbs.
5T-I	10 - 50 in.lb.	1.1 - 5.6 Nm	J	6.5	0.63	0.61	1	0.35
10T-I	50 - 250 in.lb.	5.6 - 28 Nm	J	10	0.63	0.61	1	0.55
10ST-I	60 - 300 in.lb.	6.8 - 34 Nm	J	6.2	0.68	0.86	1.4	0.75
50T-I	15 - 75 ft.lb.	20 - 102 Nm	J	11	0.68	0.86	1.4	1.4
100T-I	30 - 150 ft.lb.	41 - 203 Nm	Y	19.5	0.94	0.86	1.4	2.3
200T-I	40 - 200 ft.lb.	54 - 271 Nm	Y	23.5	0.94	0.86	1.4	2.6
300T-I	100 - 300 ft.lb.	135 - 406 Nm	X	27.7	1.12	1	1.4	3.9
600T-I*	120 - 600 ft.lb.	162 - 814 Nm	Z	55	1.5	1.25	1.25	10.45

*NOTE: No grip supplied.

**NOTE: Other styles of heads available, please contact sales department.

Hex key size for adjusting torque (not included):

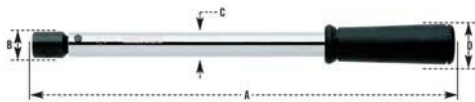
Hex Key: Fits:

3/32" 5T-I

1/8" 10T-I, 50T-I, 100T-I, 200T-I, 300T-I

3/16" 600T-I

Accuracy: This style of wrench meets or exceeds ASME B107.14M - 2004, $\pm 4\%$ in direction of calibration.



INTERCHANGEABLE RATCHET HEADS

Product Code	Drive Size	Shank Size	A In.	B In.	Repair Kit Product Code	Max Working Torque
QJD8A	1/4"	J	0.86	0.86	RKRT936	350 in.lbs.
QJD12A	3/8"	J	1.14	1.24	RKRF936	900 in.lbs.
QJD16A	1/2"	J	1.64	1.56	RKRS936	900 in.lbs.
QYD16A	1/2"	Y	1.64	1.56	RKRS936	200 ft.lbs.
QXD24A	3/4"	X	2.48	2.18	RKRQC4	300 ft. lbs.
QZD24A	3/4"	Z	2.48	2.18	RKRQC4	600 ft.lbs.
QZD32A	1"	Z	3.12	2.64	RKRQC5	600 ft.lbs.



WARNING

- Do not exceed rated torque.
- Periodic recalibration is necessary to maintain accuracy.
- Do not use a torque wrench to break fasteners loose.
- Frequently inspect, clean and lubricate ratchet mechanism with light oil.

TORQUE TOOLS

TORQUE WRENCHES

TORQUE SCREWDRIVERS - MICRO-ADJUSTABLE

Adjustable models offer versatility for applications that require more than one torque value. These torque screwdrivers are particularly suited for the electronics industry and for instrument assembly work. A simple, cam-over design prevents over-tightening and possible damage to components.

Torque settings are easily and accurately changed with a unique adjusting knob and easy-to-read window scale. Adjusting the screwdriver is simple. Just pull out the adjusting knob to unlock, turn to the desired setting, then push the knob in until it clicks!

Positive locking knob makes accidental setting changes impossible. Automatic lock in counterclockwise direction makes fastener removal a snap. The Micro-Adjustable series includes six models with torque settings ranging from 20 in. ozs. to 40 in. lbs.

FEATURES

- 6 models available
- Positive locking pull down adjustment knob
- Trilobular comfort grip
- Universal 1/4" hex holder with strong rare earth magnet
- Cam-over torque limiting clutch
- Easy-to-read window scale
- Light weight
- Automatic lock in CCW direction for disassembly
- Accuracy: $\pm 6\%$ of indicated value, CW, from 20% to 100% of full scale
- Individually serialized with matching certificate of calibration traceable to N.I.S.T.
- Meets or exceeds ASME B107.14 - 2004



Trilobular Comfort Grip

TORQUE SCREWDRIVERS - MICRO-ADJUSTABLE

Product Code	Torque Range	Increments	W x L Inches	Wt. Oz.
61SM	20 - 100 in. ozs.	1 in. oz.	1.1 x 5.5	6.8
151SM	3 - 15 in. lbs.	.2 in. lbs.	1.1 x 6.25	8.0
401SM	5 - 40 in. lbs.	.5 in. lbs.	1.2 x 6.75	10.8
61NSM	10 - 80 cNm	1 cNm	1.1 x 5.5	6.8
151NSM	40 - 200 cNm	2 cNm	1.1 x 6.25	8.0
401NSM	50 - 450 cNm	5 cNm	1.2 x 6.75	10.8



TORQUE SCREWDRIVERS - PRE-SET

The tamper resistant design of the **Pre-Set** series is particularly suited for high-volume use in assembly operations. A simple, cam-over design prevents over-tightening and possible damage to components.

Pre-set Screwdrivers may be ordered factory set at no additional charge or they may be easily set with any quality torque calibration system. The end cap removes for easy access to the 1/8" hex adjustment screw. A hex adjustment key is included with each driver.

The Pre-Set series includes four models with available torque settings from 6 in. ozs. up to 40 in.lbs. When precision and repeatability are a must, the choice is simple - CDI Torque Screwdrivers.

- 4 models available
- Trilobular comfort grip
- Universal 1/4" hex bit holder with strong rare earth magnet
- Cam-over torque limiting clutch
- Rugged, light weight aluminum body
- May be ordered pre-set from factory
- Automatic lock in CCW direction
- Accuracy: ± 6% of indicated value, CW, from 20% to 100% of full scale
- Calibration certificate available at additional costs
- Meets or exceeds ASME B107.14 - 2004



TORQUE TOOLS

**SCREWDRIVERS/
TORKYS**

TORQUE SCREWDRIVERS - PRE-SET

Product Code	Torque Range	W x L Inches	Wt. Oz.
21SP	6 - 32 in. ozs.	1.1 x 4.5	5.3
61SP	10 - 100 in. ozs.	1.1 x 5.6	7.0
151SP	1.5 - 15 in. lbs.	1.1 x 5.6	7.0
401SP	4 - 40 in. lbs.	1.2 x 6.2	9.6

TORKY - PRE-SET WRENCHES

CDI's **TORKY** is a right angle pre-set torque wrench. Torky is designed for production torque applications that require higher values than a torque screwdriver can deliver. The comfortable design eases the strain of repeated uses. The torque value may be pre-set at the factory or it may be set by the operator utilizing a torque tester. When the proper torque value is reached, a momentary release or "break" can be felt. Available in three drive styles to fit most needs.

- Three models available
- Simple, easy to use design
- Ruggedly built for years of reliable service
- Operates bi-directionally
- Accuracy: ± 4% of indicated value, CW, from 20% to 100% of full scale
- Calibration certificate available at additional costs



Prevents premature wear of carbide inserts and damage to cutter head due to improper clamp load.

TORKY - PRE-SET WRENCHES

Product Code	Drive	Torque Range	W x L Inches	Wt. Oz.
1501TPA-1	1/4" Female Hex	20-170 in.lbs.	1 X 5.25	8.3
1501TP-1	1/4" Male Square	20-170 in.lbs.	1 X 5.25	8.3
1502TP-1	3/8" Male Square	20-170 in.lbs.	1 X 5.25	8.3



WARNING

- Do not exceed rated torque.
- Periodic recalibration is necessary to maintain accuracy.
- Do not use a torque wrench to break fasteners loose.
- Frequently inspect, clean and lubricate ratchet mechanism with light oil.

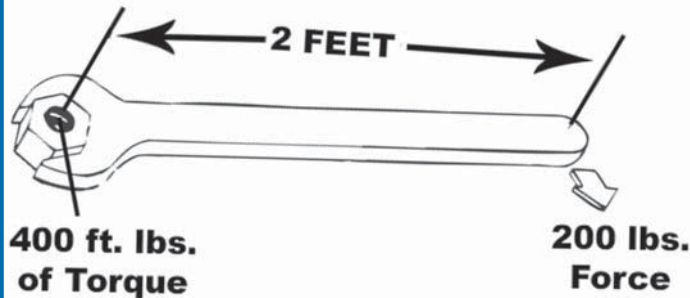
TORQUE FACTS

WHAT IS TORQUE?

According to Webster:

- A twisting or wrenching effect, or moment, exerted by a force acting at a distance on a body, equal to the force multiplied by the perpendicular distance between the line of action of the force, and the center of rotation at which it is exerted.
- A force, which tends to produce rotation. The measurement of torque is based on the fundamental law of the lever.

Basic Torque Formula L (length) x F (force) = T (torque)



Example: A two foot lever at a right angle to the fastener with 200 pounds at the end will produce 400 foot/pounds of torque.

Torque Formula: $L \times F = T$

What are we trying to achieve with a torque wrench?

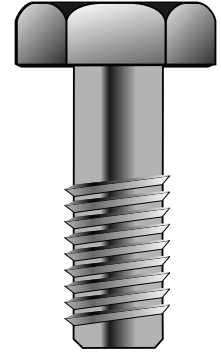
Answer: Proper Clamping Force

TORQUE AND CLAMPING FORCE

Controlling the torque applied in tightening threaded fasteners is the most commonly used method for the application of clamping force. There are many factors which may affect the relationship between torque and clamping force of threaded fasteners. Some of these are: the type of lubricant used on the threads, the material from which the bolt and nut are made, the type of washers used, the class and finish of threads and various other factors. It is not possible to establish a definite relationship between torque and clamping force which will be applicable for all conditions.

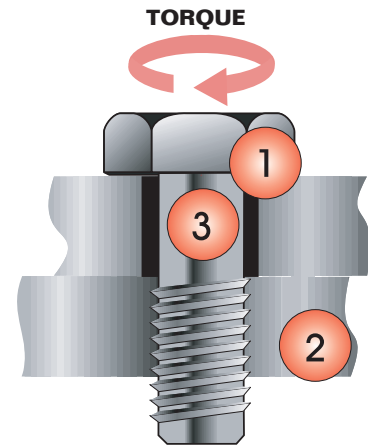
• Torque is expressed in commonly used units of measurement such as:

- in. lbs. = inch pounds
- in. ozs. = inch ounces
- ft. lbs. = foot pounds
- Nm = Newton meter
- cNm = Centi Newton meter



TORQUE VERSUS CLAMPING FORCE

Only a small part of the torque applied to a fastener contributes to clamping force. The remaining, as much as 90% of the total applied torque, is used to overcome friction under the fastener head (or between nut and washer) and friction in thread engagement.



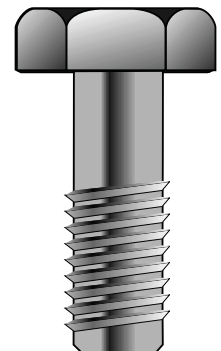
1. Head Friction
2. Thread Friction
3. Clamping Force

TORQUE

Head Friction:
45% - 55%

Thread Friction:
35% - 45%

Clamping Force:
10%



TORQUE FACTS

TORQUE WRENCH SAFETY

These precautions should always be taken when using any torque wrench to avoid possible injury:

- Read instruction manual completely before using torque wrench.
- Safety glasses or goggles should be worn at all times when using any hand tool.
- Always pull, **DO NOT PUSH**, to apply torque and adjust your stance to prevent a fall.
- A “cheater bar” should **NEVER** be used on a torque wrench to apply excess leverage.
- Do not use with sockets or fasteners showing wear or cracks.
- Ratchet mechanism may slip or break if dirty, mismatched or worn parts are used.
- Make sure direction lever is fully engaged

TORQUE WRENCH USAGE

- All mechanical torque wrenches are calibrated from 20% to 100% of full scale, therefore, they should never be used below or above those limits
- To determine which torque wrench capacity is best suited for an application, many factors must be considered. However, as a recommendation, use a torque wrench in the middle 50% of the overall capacity of the tool. This will result in longer tool life, ease of use for the operator and increased accuracy from “clicker” type torque wrenches
- Always grasp handle firmly in the center of the grip
- Approach final torque slowly and evenly
- Stop pulling wrench immediately when target torque is reached
- Never use a torque wrench to break fasteners loose
- Should be cleaned and stored properly
- Should always be stored at it's lowest torque setting
- Wrenches should be re-calibrated if dropped. Should never be used in excess of it's capacity
- Torque wrenches should be “exercised” a minimum of three times at 100% of full scale before use
- The wrench selected should be calibrated in the same torque units that are specified
- Use of a “cheater bar” will result in an inaccurate reading and can possibly damage the wrench
- Torque wrenches will last longer if reasonable care is taken. Always unwind handle to the lowest setting after each use. Do not attempt to lubricate the internal torque mechanism. Clean torque wrench by wiping, do not immerse. The wrench should be sent to a qualified calibration lab once every year or every 5000 cycles for re-calibration

TORQUE TOOLS

TORQUE WRENCHES



COMMON TORQUE ABBREVIATIONS

Foot Pounds – ft. lbs.
 Inch Pounds – in. lbs.
 Inch Ounces – in. ozs.
 Newton Meter – Nm
 Centi-Newton Meter – cNm
 Meter Kilogram – Mkg

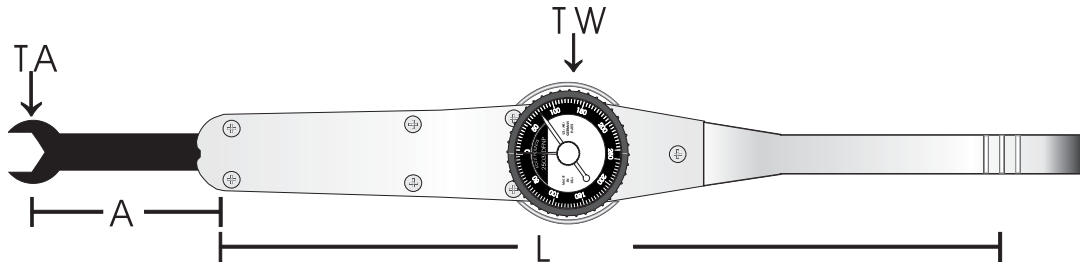
EASY-TO-USE TORQUE CONVERSION TABLE

To Convert From	To	Multiply by
in. oz.	in. lb.	0.0625
in. lb.	in.oz.	16
in. lb.	ft.lb.	0.08333
in. lb.	cmkg	1.1519
in. lb.	mkg	0.011519
in. lb.	Nm	0.113
in. lb.	dNm	1.13
ft. lb.	in. lb.	12
ft. lb.	mkg	0.1382
ft. lb.	Nm	1.356
dNm	in. lb.	0.885
dNm	Nm	0.10
Nm	dNm	10
Nm	cmkg	10.2
Nm	mkg	0.102
Nm	in. lb.	8.85
Nm	ft. lb.	0.7376
cmkg	in. lb.	0.8681
cmkg	Nm	0.09807
mkg	in. lb.	86.81
mkg	ft. lb.	7.236
mkg	Nm	9.807

TORQUE FACTS

FORMULA FOR CALCULATING ADDITION OF AN ADAPTER TO A TORQUE WRENCH

Formula:
$$\frac{TA \times L}{L + A} = TW$$



Length (L) = Effective length of the wrench as described below.

Dial Wrenches = The measured distance from the center of the square drive to the center ring or notch on the handle.

Micrometer Wrenches = The measured length from the center of the square drive to the center of the handle, with the wrench set at the desired torque reading.

Desired Torque (TA) = The torque value designated for the fastener with or without an adapter.

Added Length of Adapter (A) = The measured length from the center of the adapter drive to the center of the wrench square drive.

New Setting (TW) = The torque setting on the wrench allowing for the added length of the adapter. This reading will be lower than the desired torque.

Example: 250 ft. lb. Dial Wrench using a 2" long crowfoot adapter

L = Effective Length: 18.75"
 Desired Torque = 250 ft. lb.
 Length of Adapter = 2"

Result:
$$\frac{18.75'' \times 250 \text{ ft. lb.}}{18.75'' + 2''} = \text{Pull Wrench to 226 ft. lb.}$$



REPAIR & SERVICE CENTER

For over 30 years the CDI Repair and Service Center has been providing quality torque tool repair and calibration services performed by highly trained technicians. CDI Torque Products is a premier torque wrench and torque calibration equipment manufacturer that has been ISO 9001 certified since 1998. Mechanical torque tools and electronic torque equipment are designed, built and serviced in our City of Industry, California facility. CDI's mechanical and electronic torque tools are repaired and calibrated with N.I.S.T. (National Institute of Standards and Technology) traceable calibration equipment. CDI Torque Products meets or exceeds ASME and ISO standards. All of CDI's primary torque wrench calibration equipment used in manufacturing and repair are calibrated on a monthly basis — that's twelve times a year!!

In addition to repair and calibration services, CDI offers training in several areas. Technical training is available at our facility for any CDI manufactured torque calibration system. Training in mechanical and electronic torque wrench repair, torque theory, torque basics and safety training is also available.

All electronic torque checking, testing and calibration equipment sent to CDI for servicing is returned to factory standards and a certificate of calibration is provided at no extra cost. Rely on the CDI Repair and Service Center to do the job right the first time.



TORQUE TOOLS

SERVICE/WARRANTY



MECHANICAL AND ELECTRONIC TORQUE PRODUCTS FULL 12-MONTH WARRANTY

CDI TORQUE PRODUCTS WARRANTS TO THE ORIGINAL PURCHASER OF TORQUE PRODUCTS THAT THE COMPANY'S TORQUE PRODUCTS ARE FREE FROM DEFECTS IN WORKMANSHIP AND MATERIALS. CDI TORQUE PRODUCTS will repair or replace torque products which fail to give satisfactory service due to defective workmanship or materials (excluding calibration) for 12 months from the date of original purchase. CDI TORQUE PRODUCTS warrants "initial, out of box calibration" of each new, unused torque product. Repair, replacement or recalibration shall be at the election and expense of CDI TORQUE PRODUCTS, and is your exclusive remedy in place of all other rights and remedies. Products must be returned with proof of purchase, freight prepaid, to a CDI TORQUE PRODUCTS repair center for warranty service. CDI TORQUE PRODUCTS does not provide any warranty for products subjected to abnormal use. Abnormal use includes misuse, accident, modification, unreasonable use, neglect, lack of maintenance, or use after the tool is significantly worn.

"NO OTHER WARRANTIES, EXPRESS, IMPLIED OR STATUTORY, INCLUDING WITHOUT LIMITATION ANY IMPLIED WARRANTY OF MERCHANTABILITY OR FITNESS FOR A PARTICULAR PURPOSE, SHALL APPLY, AND ALL SUCH WARRANTIES ARE HEREBY EXPRESSLY EXCLUDED."

In no event shall Seller be liable to Buyer or anyone claiming through or against Buyer for any special, indirect or consequential damages (including, without limitation, lost profits, revenues, anticipated sales, business opportunities or goodwill; interruption of business; or loss of business information).



INDEX

Product Code	Description	Page
1.81NLDNSS	¼" drive, 0-1.8 Nm Dial Torque Wrench, Single Scale	7
1002MRMH	¾" drive, 150-1000 in. lb. Micro-adj. metal handle	8
1002MRPH	¾" drive, 150-1000 in. lb. Micro-adj. comfort grip	10
10005CF-II	1" drive, 100-1000 ft. lb. "COMPUTORQ II" Electronic Torque Wrench	2
10005LDFE	1" drive, 0-1000 ft. lb. Dial w/ light and buzzer, Dual Scale	5
10005LDFESS	1" drive, 0-1000 ft. lb. Dial w/ light and buzzer, Single Scale	6
10005LDFN	1" drive, 0-1000 ft. lb. Dial Torque Wrench, Dual Scale	5
10005LDFNSS	1" drive, 0-1000 ft. lb. Dial Torque Wrench, Single Scale	6
10005MFRMH	1" drive, 200-1000 ft. lb. Micro-adj. metal handle	8
1002CF3	¾" dr. 10-100 ft.lb. Computorq 3 Digital Torque Wrench	3
1002CF3HA	¾" dr. 10-100 ft.lb. Computorq 3 Digital Torque Wrench	3
1002MFRMH	¾" drive, 10-100 ft. lb. Micro-adj. metal handle	8
1002MFRPH	¾" drive, 10-100 ft. lb. Micro-adj. comfort grip	10
1002NMRMHSS	¾" drive, 20-100 Nm Micro-adj. metal handle	9
1002TAA	¾" drive, Torque and Angle Electronic Torque Wrench	1
1003LDFN	½" drive, 0-100 ft. lb. Dial Torque Wrench, Dual Scale	5
1003LDFNSS	½" drive, 0-100 ft. lb. Dial Torque Wrench, Single Scale	6
100T-I	20-150 ft. lb. Pre-Set Clicker, Interchangeable Head, "Y" Shank	11
10ST-I	84-300 in. lb. Pre-Set Clicker, Short tube, Interchangeable Head, "J" Shank	11
10T-I	30-250 in. lb. Pre-Set Clicker, Interchangeable Head, "J" Shank	11
14005NLDESS	1" drive, 0-1400 Nm Dial w/ light and buzzer, Single Scale	7
14005NLDNSS	1" drive, 0-1400 Nm Dial Torque Wrench, Single Scale	7
1403NLDNSS	½" drive, 0-140 Nm Dial Torque Wrench, Single Scale	7
15005NMRMHSS	1" drive, 300-1500 Nm Micro-adj. metal handle	9
1501MRPH	¼" drive, 20-150 in. lb. Micro-adj. comfort grip	9
1501TP-1	¼" male sq. drive, 20-170 in. lb. Torky	13
1501TPA-1	¼" hex drive, 20-170 in. lb. Torky	13
1502LDIN	¾" drive, 0-150 in. lb. Dial Torque Wrench, Dual Scale	5
1502MRMH	¾" drive, 20-150 in. lb. Micro-adj. metal handle	10
1502TP-1	¾" male sq. drive, 20-170 in. lb. Torky	13
1503MFRMH	½" drive, 20-150 ft. lb. Micro-adj. metal handle	8
1503MFRPH	½" drive, 20-150 ft. lb. Micro-adj. comfort grip	10
151LDIN	¼" drive, 0-15 in. lb. Dial Torque Wrench, Dual Scale	5
151LDINSS	¼" drive, 0-15 in. lb. Dial Torque Wrench, Single Scale	6
151NSM	¼" female hex drive, 40-200 cNm Micro-adj. Torque Screwdriver	12
151SM	¼" female hex drive, 3-15 in. lb. Micro-adj. Torque Screwdriver	12
151SP	¼" female hex drive, 1.5-15 in. lb. Pre-set Torque Screwdriver	13
1753LDFN	½" drive, 0-175 ft. lb. Dial Torque Wrench, Dual Scale	5
1753LDFNSS	½" drive, 0-175 ft. lb. Dial Torque Wrench, Single Scale	6
182NLDNSS	¾" drive, 0-18 Nm Dial Torque Wrench, Single Scale	7
20005LDFE	1" drive, 0-2000 ft. lb. Dial w/ light and buzzer, "T" Style, Dual Scale	5
20005LDFESS	1" drive, 0-2000 ft. lb. Dial w/ light and buzzer, "T" Style, Single Scale	6
20005MFMHSS	1" drive, 300-2000 ft. lb. Micro-adj. metal handle, Single Scale	8
20005MFMHSS	1" drive, 300-2000 ft. lb. Micro-adj. metal handle	8
2002MRMH	¾" drive, 30-200 in. lb. Micro-adj. metal handle	8
2003NMRMHSS	½" drive, 40-200 Nm Micro-adj. metal handle	9
200T-I	30-200 ft. lb. Pre-Set Clicker, Interchangeable Head, "Y" Shank	11
21SP	¼" female hex drive, 6-32 in. oz. Pre-set Torque Screwdriver	13
2401CI3	¼" dr. 24-240 in.lb. Computorq 3 Digital Torque Wrench	3
2401CI3HA	¼" dr. 24-240 in.lb. Computorq 3 Digital Torque Wrench	3
2403NLDNSS	½" drive, 0-240 Nm Dial Torque Wrench, Single Scale	7
25003MRMH	½" drive, 300-2500 in. lb. Micro-adj. metal handle	8
25005NLDESS	1" drive, 0-2500 Nm Dial w/ light and buzzer, "T" Style, Single Scale	7
2502CI-II	¾" drive, 25-250 in. lb. "COMPUTORQ II" Electronic Torque Wrench	2
2502ED	¾" drive, Electronic Dial Wrench (ED)	4
2502LDIN	¾" drive, 0-250 in. lb. Dial Torque Wrench, Dual Scale	5
2502LDINSS	¾" drive, 0-250 in. lb. Dial Torque Wrench, Single Scale	6
2502MRMH	¾" drive, 30-250 in. lb. Micro-adj. metal handle	8
2502MRPH	¾" drive, 30-250 in. lb. Micro-adj. comfort grip	10
2503CF3	½" dr. 25-250 ft.lb. Computorq 3 Digital Torque Wrench	3
2503CF3HA	½" dr. 25-250 ft.lb. Computorq 3 Digital Torque Wrench	3
2503CF-II	½" drive, 25-250 ft. lb. "COMPUTORQ II" Electronic Torque Wrench	2
2503LDFN	½" drive, 0-250 ft. lb. Dial Torque Wrench, Dual Scale	5



**TORQUE
TOOLS
INDEX**

Product Code	Description	Page
2503LDFNSS	½" drive, 0-250 ft. lb. Dial Torque Wrench, Single Scale	6
2503MFRMH	½" drive, 30-250 ft. lb. Micro-adj. metal handle	8
2503MFRPH	½" drive, 30-250 ft. lb. Micro-adj. comfort grip	10
2503TAA	½" drive, Torque and Angle Electronic Torque Wrench	1
3.51NLDNSS	¼" drive, 0-3.5 Nm Dial Torque Wrench, Single Scale	7
3002LDIN	⅜" drive, 0-300 in. lb. Dial Torque Wrench, Dual Scale	5
3002LDINSS	⅜" drive, 0-300 in. lb. Dial Torque Wrench, Single Scale	6
300T-I	60-300 ft. lb. Pre-Set Clicker, Interchangeable Head, "X" Shank	11
301LDIN	¼" drive, 0-30 in. lb. Dial Torque Wrench, Dual Scale	5
301LDINSS	¼" drive, 0-30 in. lb. Dial Torque Wrench, Single Scale	6
302NLDNSS	⅜" drive, 0-30 Nm Dial Torque Wrench, Single Scale	7
3403NMRMHSS	½" drive, 60-340 Nm Micro-adj. metal handle	9
3503NLDNSS	½" drive, 0-350 Nm Dial Torque Wrench, Single Scale	7
3504LDFN	¾" drive, 0-350 ft. lb. Dial Torque Wrench, Dual Scale	5
3504LDFNSS	¾" drive, 0-350 ft. lb. Dial Torque Wrench, Single Scale	6
352NLDNSS	⅜" drive, 0-35 Nm Dial Torque Wrench, Single Scale	7
4004MFRMH	¾" drive, 80-400 ft. lb. Micro-adj. metal handle	8
401NSM	¼" female hex drive, 50-450 cNm Micro-adj. Torque Screwdriver	12
401SM	¼" female hex drive, 5-40 in. lb. Micro-adj. Torque Screwdriver	12
401SP	¼" female hex drive, 4-40 in. lb. Pre-set Torque Screwdriver	13
4804NLDNSS	¾" drive, 0-480 Nm Dial Torque Wrench	7
501CI-II	¼" drive, 5-50 in. lb. "COMPUTORQ II" Electronic Torque Wrench	2
501ED	¼" drive, Electronic Dial Wrench (ED)	4
501MRMH	¼" drive, 10-50 in. lb. Micro-adj. metal handle	8
502CF-II	⅜" drive, 5-50 ft. lb. "COMPUTORQ II" Electronic Torque Wrench	2
502LDFN	⅜" drive, 0-50 ft. lb. Dial Torque Wrench, Dual Scale	5
502LDFNSS	⅜" drive, 0-50 ft. lb. Dial Torque Wrench, Single Scale	6
50T-I	5-75 ft. lb. Pre-Set Clicker, Interchangeable Head, "J" Shank	11
5T-I	10-50 in. lb. Pre-Set Clicker, Interchangeable Head, "J" Shank	11
6002ED	⅜" drive, Electronic Dial Wrench (ED)	4
6002LDIN	⅜" drive, 0-600 in. lb. Dial Torque Wrench, Dual Scale	5
6002LDINSS	⅜" drive, 0-600 in. lb. Dial Torque Wrench, Single Scale	6
6004CF-II	¾" drive, 60-600 ft. lb. "COMPUTORQ II" Electronic Torque Wrench	2
6004LDFE	¾" drive, 0-600 ft. lb. Dial w/ light and buzzer, Dual Scale	5
6004LDFESS	¾" drive, 0-600 ft. lb. Dial w/ light and buzzer, Single Scale	6
6004LDFN	¾" drive, 0-600 ft. lb. Dial Torque Wrench, Dual Scale	5
6004LDFNSS	¾" drive, 0-600 ft. lb. Dial Torque Wrench, Single Scale	6
6004MFRMH	¾" drive, 100-600 ft. lb. Micro-adj. metal handle	8
6004MFRPH	¾" drive, 100-600 ft. lb. Micro-adj. comfort grip	10
600T-I	100-600 ft. lb. Pre-Set Clicker, Interchangeable Head, "Z" Shank	11
602NMRMHSS	⅜" drive, 10-60 Nm Micro-adj. metal handle	9
61NSM	¼" female hex drive, 10-80 cNm Micro-adj. Torque Screwdriver	12
61SM	¼" female hex drive, 20-100 in. oz. Micro-adj. Torque Screwdriver	12
61SP	¼" female hex drive, 10-100 in. oz. Pre-set Torque Screwdriver	13
702NLDNSS	⅜" drive, 0-70 Nm Dial Torque Wrench, Single Scale	7
7502MRMH	⅜" drive, 100-750 in. lb. Micro-adj. metal handle	8
751LDIN	¼" drive, 0-75 in. lb. Dial Torque Wrench, Dual Scale	5
752LDIN	¼" drive, 0-75 in. lb. Dial Torque Wrench, Dual Scale	5
751LDINSS	¼" drive, 0-75 in. lb. Dial Torque Wrench, Single Scale	6
752LDINSS	⅜" drive, 0-75 in. lb. Dial Torque Wrench, Single Scale	6
752MFRMH	⅜" drive, 5-75 ft. lb. Micro-adj. metal handle, Single Scale	8
8004NLDESS	¾" drive, 0-800 Nm Dial w/ light and buzzer, Single Scale	7
8004NLDNSS	¾" drive, 0-800 Nm Dial Torque Wrench, Single Scale	7
8004NMRMHSS	¾" drive, 150-800 Nm Micro-adj. metal handle, Single Scale	9
802MFRFMHSS	⅜" drive, 10-80 ft. lb. Micro-adj. flex-ratchet head metal handle, Single Scale	12
91NLDNSS	¼" drive, 0-9 Nm Dial Torque Wrench, Single Scale	7
92NLDNSS	⅜" drive, 0-9 Nm Dial Torque Wrench, Single Scale	7
QJD12A	Ratchet Head Drive "J", ⅜" (RJD-6)	11
QJD16A	Ratchet Head Drive "J", ½" (RJD-8)	11
QJD8A	Ratchet Head Drive "J", ¼" (RJD-4)	11
QXD24A	Ratchet Head Drive "X", ¾" (RXD-12)	11
QYD16A	Ratchet Head Drive "Y", ½" (RYD-8)	11
QZD24A	Ratchet Head Drive "Z", ¾"	11
QZD32A	Ratchet Head Drive "Z", 1"	11



WARRANTY STATIONS

United States

CDI Torque Products

a Snap-on® company
 19220 San Jose Avenue
 City of Industry, CA 91748
 Phone: (626) 965-0668
 Fax: (626) 965-2410
 E-Mail: sales@cditorque.com
 Web Site: www.cditorque.com

United States

Team Torque, Inc.

A2LA Accredited to ISO 17025
 2910 E. Broadway #24
 Bismarck, ND 58501
 Phone: 701.223.4552 or 888.682.8675
 Fax: 701.222.3731
 E-Mail: service@teamtorque.com

United States

Angle Repair

175 Angle Drive
 Beckley, WV 25801
 Phone: 304.253.5729
 Fax: 304.252.0481
 E-Mail: estimate@anglerepair.com

Canada

Etaltech

587 Adanac
 Beauport, Quebec
 Canada G1C 7G6
 Phone: 418.660.6081
 Fax: 418.660.6554
 E-Mail: etaltech@qc.aira.com

Mexico

Arjessiger de Mexico, S.A. de C.V.

PH: 01 (800) 522.22.65
 PH: 01 (800) 228.11.44
 PH: 011 (52) 553.91.06.65
 PH: 011 (52) 553.91.07.49
 FAX: 011 (52) 553.91.51.87
 E-Mail: ventas@arjessiger.com

WWW.CDITORQUE.COM

Complete Catalog information may be found on our new website along with:

- Distributor Locator
- Interactive Torque Conversion Charts
- Catalog PDF Downloads
- Service and Support
- Contact Information
- Events

Visit us online at www.cditorque.com!





CDI Torque Products, A Division of Snap-on Logistics Company offers a complete product offering of Torque Testers and Calibration Equipment to request your catalog please go to www.cditorqueproducts.com or call the sales department at 626-965-0668.

Standards & Specifications that CDI Torque Products manufacture to:

ISO 9001-2000 - Quality System
Certified by Det Norske Veritas
Certificate # CERT- 08745 - 2006 - AQ - HOU - ANAB

ISO 14001-2000 - Environmental System
Certified by Det Norske Veritas
Certificate # CERT- 02711 - 2006 - AE - HOU - ANAB

Occupational Health and Safety Assessment Series 18001: 1999 Edition - Safety System
Certified by Det Norske Veritas
Certificate # CERT- 03904 - 2006 -SOC - HOU - ANAB

ASME B107.14 - 2004 & ISO 6789 (2003 - 04 - 01 Edition) - Hand Torque Tools

ASME B107.29 - 2005 - Electronic Testers and Hand Torque Tools

CDI is a member of HTI and sits on the ASME Committee on Torque Instruments and NCSL International Metrology Group.

CDI **TORQUE**
PRODUCTS

A Division of Snap-on Logistics Company

19220 SAN JOSE AVENUE • CITY OF INDUSTRY, CA 91748 • USA
(626) 965-0668 • (626) 965-2410 • WWW.CDITORQUE.COM